

Lanolinx LNX-500W

5-Port 10/100BaseTX Web-Managed Industrial Switch

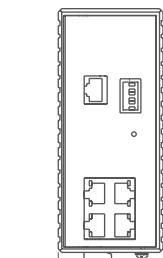


Features

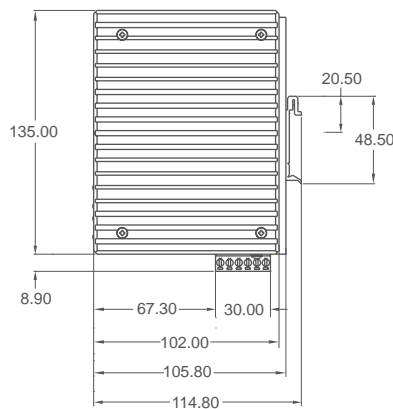
- ▶ Web Browser Configuration for Easy Setup
- ▶ Ethernet Ring Redundancy (Recovery Time <300ms)
- ▶ IEEE 802.1w Rapid Spanning Tree & IEEE 802.1d Spanning Tree Protocol
- ▶ IGMP with Query Mode for Multi-Media Applications
- ▶ Supports Port Based VLAN & IEEE 802.1Q Tag VLAN
- ▶ IEEE 802.1p Class of Service for Traffic Classification & Prioritization
- ▶ Ingress/Egress Rate Control for Bandwidth Optimization
- ▶ IP Address Security Management to Prevent Unauthorized Access
- ▶ Dual Redundant DC Power Inputs
- ▶ IP30 Rugged Aluminum Case Design
- ▶ DIN-Rail or Panel Mountable for Easy Installation



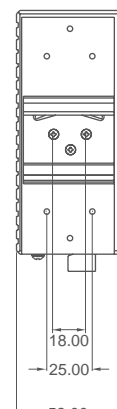
▶ Dimensions (unit = mm)



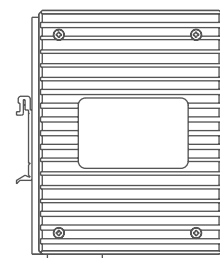
Front View



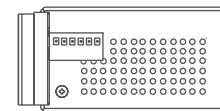
Side View



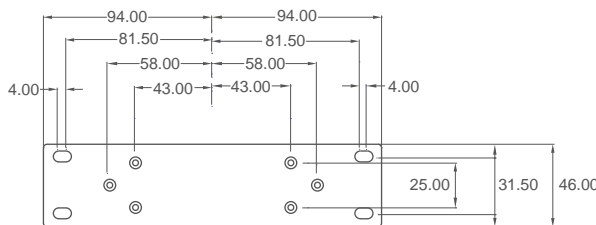
Back View



Side View



Bottom View



Back Plate



Top View

► Specifications

Standard

- IEEE 802.3 10BaseT Ethernet
- IEEE 802.3u 100BaseTX Fast Ethernet
- IEEE 802.3x Flow Control and Back-Pressure
- IEEE 802.1d Spanning Tree
- IEEE 802.1w Rapid Spanning Tree
- IEEE 802.1p Class of Service
- IEEE 802.1Q VLAN Tag

Management

- Web Interface Management

Protocol

- CSMA/CD

Switch Architecture

- Store and Forward

Transfer Rate

- 14,880pps for Ethernet Port
- 148,800pps for Fast Ethernet Port

Transfer Packet Size

- 64 bytes to 1522 bytes (with VLAN Tag)

Packet Filter

- 4 rules for different types of packet combinations

MAC Address

- 2K MAC Address Table

Memory Buffer

- 1Mb

LED

- Unit: Master, Power, Power 1, Power 2, Fault
- Port: Link/Activity, Full-Duplex/Collision

Network Cable

- 10BaseT: 2-pair UTP/STP Cat. 3, 4, 5 cable EIA/TIA-568 100-ohm (100m)
- 100BaseTX: 2-pair UTP/STP Cat. 5 cable EIA/TIA-568 100-ohm (100m)

Back-Plane

- 1.0 Gbps

Packet Throughput Ability

- 1.49Mpps @ 64bytes (5TX)

Redundant Ring

- 2 Ports for Ring Redundancy (< 300 ms recovery time)
- Ring & Coupling Configured by Web Interface
- Ringmaster by Hardware DIP Switch

VLAN

- Port Based & IEEE 802.1Q Tag VLAN. Group up to 64 VLANs

Class of Service

- Provides 4 priority queues per port

Quality of Service

- Port Based, Tag Based, & IPv4 Type of Service

IGMP

- IGMP v1 and Query Mode. Up to 256 groups

Spanning Tree

- IEEE 802.1d Spanning Tree
- IEEE 802.1w Rapid Spanning Tree

SNTP

- Supports Simple Network Time Protocol

Management IP Security

- Supports IP Address Security

Port Mirror

- Supports TX packet only or TX & RX packets

Firmware Update

- Supports TFTP Firmware Update, Config. Backup & Restore

DHCP Client

- Provides DHCP Client function to obtain IP Address from DHCP Server

Bandwidth Control

- Supports Ingress and Egress packet limit

Alarm

- Provides 1 relay output (1A @ 24VDC) for port breakdown and power fail

Power Supply

- Input Voltage: 12 to 48 VDC & 1 DC jack for AC/DC Power Adapter
- 2 sets of wide range DC power with reverse polarity protection

Power Consumption

- 3 Watts

Mechanical

- Casing: IP30 Metal Case
- Dimension (W x H x D): 58 x 135 x 105 mm (2.28 x 5.31 x 4.13 in.)
- Installation: DIN-Rail/Wall Mountable

Weight

- Unit Weight: 1.5 lbs.
- Shipping Weight: 2.3 lbs.

Operation Temperature

- Standard: -10° C to 70° C (14° F to 158° F)

Operation Humidity

- 5% to 95% (Non-condensing)

Storage Temperature

- 40° C to 85° C

EMI

- FCC Class A
- CE EN6100-4-2/EN6100-4-3/EN6100-4-4/EN6100-4-5/EN6100-4-6

Safety

- UL, cUL, CE EN60950

Stability Testing

- Shock: IEC60068-2-27
- Free Fall: IEC60068-2-32
- Vibration: IEC60068-2-6

Warranty

- 5-Year Warranty

► Ordering Information

LNX-500W

5-Port 10/100BaseTX Industrial Ethernet Switch with Redundant Ring, Web-Managed

Optional Accessories

DR-4524

45W 24VDC Industrial DIN Rail Power Supply

DR-75-24

75W 24VDC Industrial DIN Rail Power Supply

DR-120-24

120W 24VDC Industrial DIN Rail Power Supply

Aaxeon Technologies, Inc.

445 Capricorn St.
Brea, CA 92821
USA

Toll-Free: (877) AAXEON5 (229-3665)
Phone: (714) 671-9000
FAX: (714) 671-9944
e-Mail: info@aaxeon.com

aaxeon[®]
www.aaxeon.com