

# Lanolinx LNX-802N

6-Port 10/100BaseTX + 2-Port 100BaseFX Managed Industrial Switch

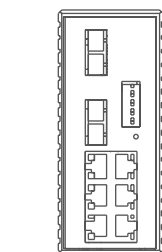


## Features

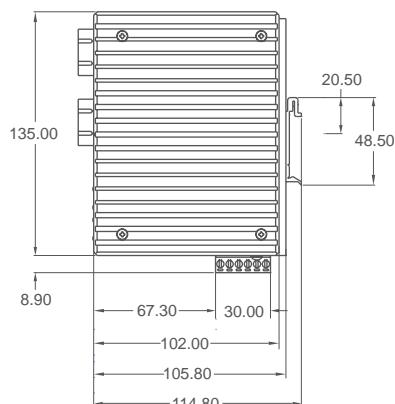
- ▶ Web Browser Configuration for Easy Setup
- ▶ Ethernet Ring Redundancy (Recovery Time <300ms)
- ▶ IEEE 802.1w Rapid Spanning Tree & IEEE 802.1d Spanning Tree Protocol
- ▶ IGMP with Query Mode for Multi-Media Applications
- ▶ Supports Port Based VLAN & IEEE 802.1Q Tag VLAN
- ▶ IEEE 802.1p Class of Service for Traffic Classification & Prioritization
- ▶ Port Mirroring for Traffic Monitoring
- ▶ Ingress/Egress Rate Control for Bandwidth Optimization
- ▶ Broadcast Storm Protection
- ▶ Supports SNMP and SNMP Trap
- ▶ IP Address Security Management to Prevent Unauthorized Access
- ▶ Automatic Warnings by Exception Through E-mail or Relay Output
- ▶ Supports STMP, SMTP, DHCP Client Protocols
- ▶ Dual Redundant DC Power Inputs
- ▶ IP30 Rugged Aluminum Case Design
- ▶ Extended Operating Temperature (-40°C to 80°C) for Harsh Environments
- ▶ DIN-Rail or Panel Mountable for Easy Installation



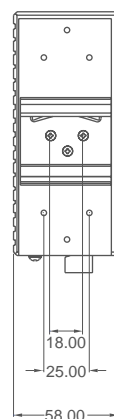
## ▶ Dimensions (unit = mm)



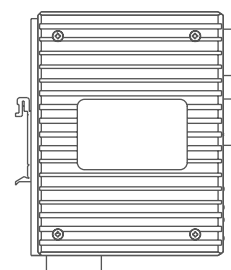
Front View



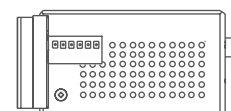
Side View



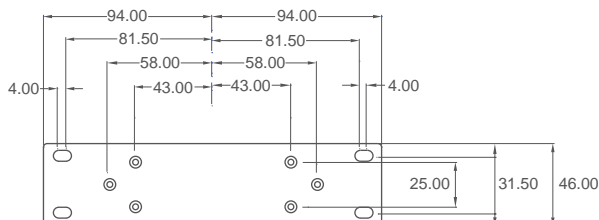
Back View



Side View



Bottom View



Back Plate



Top View

## ► Specifications

### Standard

IEEE 802.3 10BaseT Ethernet  
IEEE 802.3u 100BaseTX/100BaseFX  
IEEE 802.3x Flow Control and Back-Pressure  
IEEE 802.1d Spanning Tree  
IEEE 802.1w Rapid Spanning Tree  
IEEE 802.1p Class of Service  
IEEE 802.1Q VLAN Tag

### Management

Provides SNMP, Web Interface Management

### SNMP MIB

RFC1213 MIB-II, RFC1493 Bridge MIB, RMON RFC1757, RFC2674  
VLAN MIB, RFC1643 Ethernet like MIB, RFC1215 Trap MIB, IGMP MIB,  
Private MIB

### SNMP Trap

Up to 3 Trap Stations

### Protocol

CSMA/CD

### Switch Architecture

Store and Forward

### Transfer Rate

14,880pps for Ethernet Port  
148,800pps for Fast Ethernet Port

### Transfer Packet Size

64 bytes to 1522 bytes (with VLAN Tag)

### Packet Filter

4 rules for different types of packet combinations

### MAC Address

2K MAC Address Table

### Memory Buffer

1Mb

### LED

Unit: Master, Power, Power 1, Power 2, Fault  
Port: Link/Activity, Full-Duplex/Collision

### Network Cable

10BaseT: 2-pair UTP/STP Cat. 3, 4, 5 cable EIA/TIA-568 100-ohm (100m)  
100BaseTX: 2-pair UTP/STP Cat. 5 cable EIA/TIA-568 100-ohm (100m)

### Optical Cable

SC (Multi-Mode): 50/125µm ~ 62.5/125µm  
SC (Single-Mode): 9/125µm ~ 10/125µm  
Available Distance: 2KM (Multi-Mode), 30KM (Single-Mode)  
Wavelength: 1310nm (Multi-Mode and Single-Mode)

### Back-Plane

1.6 Gbps

### Packet Throughput Ability

1.19Mpps @ 64bytes (6TX + 2FX)

### Redundant Ring

2 Ports for Ring Redundancy (< 300 ms recovery time)  
Supports Dual Homing & Ring Coupling

### VLAN

Port Based & IEEE 802.1Q Tag VLAN. Group up to 64 VLANs.

### Class of Service

Provides 4 priority queues per port

### Quality of Service

Port Based, Tag Based, & IPv4 Type of Service

### IGMP

IGMP v1 and Query Mode. Up to 256 groups

### Spanning Tree

IEEE 802.1d Spanning Tree  
IEEE 802.1w Rapid Spanning Tree

### SNTP

Supports Simple Network Time Protocol

### SMTP

Supports Simple Mail Transfer Protocol

### Management IP Security

Supports up to 10 IP Addresses for Secured Access

### System Event Log

1000 Event Log entries available

### Port Mirror

Supports TX packet only or TX & RX packets

### Firmware Update

Supports TFTP Firmware Update

### DHCP Client

Provides DHCP Client function to obtain IP Address from DHCP Server

### Bandwidth Control

Supports Ingress and Egress packet limit

### Alarm

Provides 1 relay output (1A @ 24VDC) for port breakdown and power fail

### Power Supply

Input Voltage: 12 to 48 VDC & 1 DC jack for AC/DC Power Adapter  
2 sets of wide range DC power with reverse polarity protection

### Power Consumption

6 Watts

### Mechanical

Casing: IP30 Metal Case  
Dimension (W x H x D): 58 x 135 x 105.8 mm (2.28 x 5.31 x 4.17 in.)  
Installation: DIN-Rail/Wall Mountable  
Weight: 1.6 lbs. (Unit Weight) / 2.3 lbs. (Shipping Weight)

### Operation Temperature

Standard: -10° C to 70° C (14° F to 158° F)  
Wide Operating Temperature: -40° C to 80° C (-40° F to 176° F)

### Operation Humidity

5% to 95% (Non-condensing)

### Storage Temperature

-40° C to 85° C

### EMI

FCC Class A  
CE EN6100-4-2/EN6100-4-3/EN6100-4-4/EN6100-4-5/EN6100-4-6

### Safety

UL, cUL, CE EN60950

### Stability Testing

Shock: IEC60068-2-27  
Free Fall: IEC60068-2-32  
Vibration: IEC60068-2-6

### Warranty

5-Year Warranty

## ► Ordering Information

### LNX-802NM

8-Port (6-port 10/100TX + 2-port 100FX) Industrial Ethernet Switch, Redundant Ring, Managed, Multi-Mode Fiber 2 Km

### LNX-802NS3

8-Port (6-port 10/100TX + 2-port 100FX) Industrial Ethernet Switch, Redundant Ring, Managed, Single-Mode Fiber 30 Km

### LNX-802NM-T

8-Port (6-port 10/100TX + 2-port 100FX) Industrial Ethernet Switch, Redundant Ring, Managed, Multi-Mode Fiber 2 Km, Wide Operating Temperature

### LNX-802NS3-T

8-Port (6-port 10/100TX + 2-port 100FX) Industrial Ethernet Switch, Redundant Ring, Managed, Single-Mode Fiber 30 Km, Wide Operating Temperature

### Optional Accessories

#### DR-4524

45W 24VDC Industrial DIN Rail Power Supply

#### DR-75-24

75W 24VDC Industrial DIN Rail Power Supply

#### DR-120-24

120W 24VDC Industrial DIN Rail Power Supply

#### CBF-SC01ST-MD

SC to ST Multi-Mode, Duplex Fiber Cable (1 Meter)

#### CBF-SC01SC-MD

SC to SC Multi-Mode, Duplex Fiber Cable (1 Meter)

#### CBF-SC01SC-SS

SC to SC Single-Mode, Simplex Fiber Cable (1 Meter)

#### AD-SCM-STF-M

SC (Male) to ST (Female) Duplex Adapter (Multi-Mode)

#### AD-SCM-STF-S

SC (Male) to ST (Female) Duplex Adapter (Single-Mode)

### Aaxeon Technologies, Inc.

445 Capricorn St.  
Brea, CA 92821  
USA

Toll-Free: (877) AAXEON5 (229-3665)  
Phone: (714) 671-9000  
FAX: (714) 671-9944  
e-Mail: info@aaxeon.com

**aaxeon**<sup>®</sup>  
www.aaxeon.com